

For compressors »MDR 5« type

Three-phase version.

Power:	5.5 kW
Max. cut-out pressure:	16.0 bar
Contact type:	NC (3-pole)
Medium temperature:	-5 °C to +80 °C
Degree of protection:	IP 54
Max. switching frequency:	120 (electrical) 600 (mechanical)
Compressed air connection:	G 1/2



MDR 5/11



MDR 5/11 K

»MDR 5« pressure switches, without unloading valve, on/off switch, motor protection circuit, with flange F4 1/2

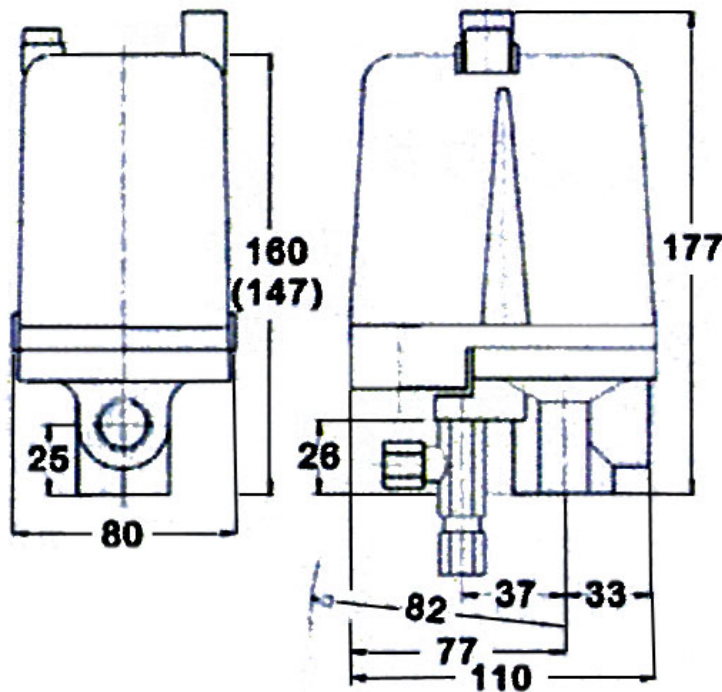
Type No.	Art.-No.	Adjustment range
MDR 5/11	103057	2 – 11 bar
MDR 5/16	103058	2.5 - 16 bar

»MDR 5« pressure switches, with unloading valve, on/off switch, flange F4 1/2, without motor protection circuit

Type No.	Art.-No.	Adjustment range
MDR 5/11K	103059	2 – 11 bar
MDR 5/16K	103060	2.5 - 16 bar

**Important:** A thermal, 3-pole overcurrent relay must be ordered together with these switches. Without this relay, the on/off mechanism does not work.

Dimensions



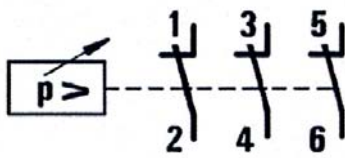
Technical Data

Technical Data MDR 5 acc. to EN 60947	
Rated insulation voltage $U_i$	500 V
Motor switching capacity (AC 3) $U_e=240$ V (1~)	2.5 kW
Motor switching capacity (AC 3) $U_e=230$ V (3~)	4.0 kW
Motor switching capacity (AC 3) $U_e=400$ V (3~)	5.5 kW
Motor switching capacity (AC 3) $U_e=500$ V (1~)	4.0 kW
Electrical life (AC 3) Cycles	$> 1 \times 10^5$
Mechanical life Cycles	$> 5 \times 10^5$
Max. electrical cycles Cycles/h	120
Max. mechanical cycles Cycles/h	600
Rated operational current $I_o$ at 240 V AC	25 A

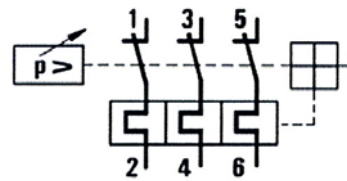
Technical Data MDR 5 acc. to EN 60947	
Bursting strength $P_z$	$> 40$ bar
Permissible medium temperature Air	- 5...+ 80 °C
Permissible medium temperature Water	+ 80 °C
Degree of Protection acc. to EN 60529	IP 54
Conductor cross-section 1 ... fine stranded cable 1 x / 2 x	2.5 / 2.5mm <sup>2</sup>
Conductor cross-section 1 ... rigid cable 1 x / 2 x	4 / 4mm <sup>2</sup>

Diaphragm media resistance MDR 5	
Acetylene, Gasoline, Butane, Diesel, Natural gas, Petroleum, Ethylene glycol, Glycerol, Fuel oil, Urine, Carbon dioxide, Carbonic acid, Air, Mineral oils, Vegetable oil, Propane, Silicon oil, Nitrogen, Synthetic oils, Water, Distilled water, Hydrogen, Sea water, Water steam	resistant

## Circuit diagrams

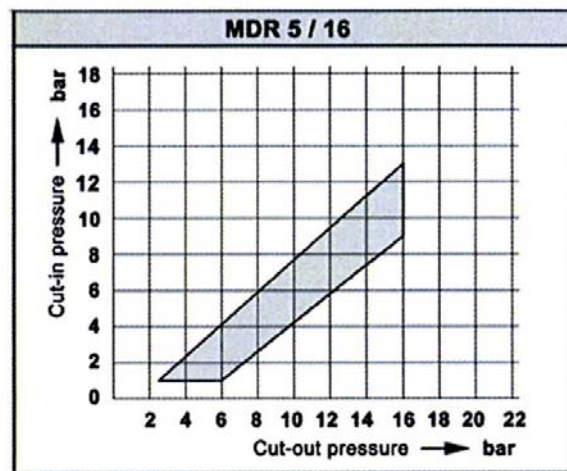
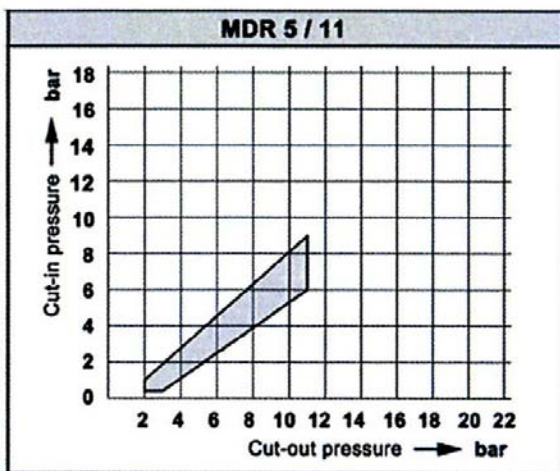


MDR 5

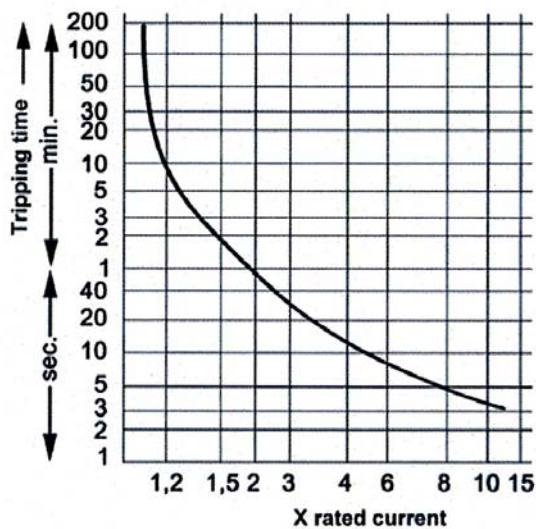


MDR 5K-R5

## Pressure diagrams



## Tripping Curves R5 (average)





EV 5



R 5/7



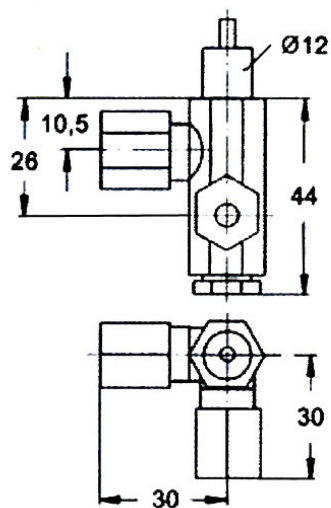
R 5/10,3



H 5-K

Accessories

Type No.	Art.-No.	Description	Weight (g)
EV 5	103061	Unloading valve	30.0
R 5/2,4	103062	Motor protection circuit (overcurrent relay) 1,50 - 2.45 A	150.0
R 5/4,2	103063	Motor protection circuit (overcurrent relay) 2.40 - 4.20 A	150.0
R 5/7	103064	Motor protection circuit (overcurrent relay) 4.00 - 7.00 A	150.0
R 5/10,3	103065	Motor protection circuit (overcurrent relay) 6.10 - 10.3 A	150.0
R 5/14	103066	Motor protection circuit (overcurrent relay) 9.00 - 14.0 A	150.0
R 5/18	103067	Motor protection circuit (overcurrent relay) 11.0 - 18.0 A	150.0
M 500	103068	Diaphragm	-
H 5-K	103069	Hood with on/off switch	150.0
H 5	103070	Hood without on/off switch	130.0



EV 5